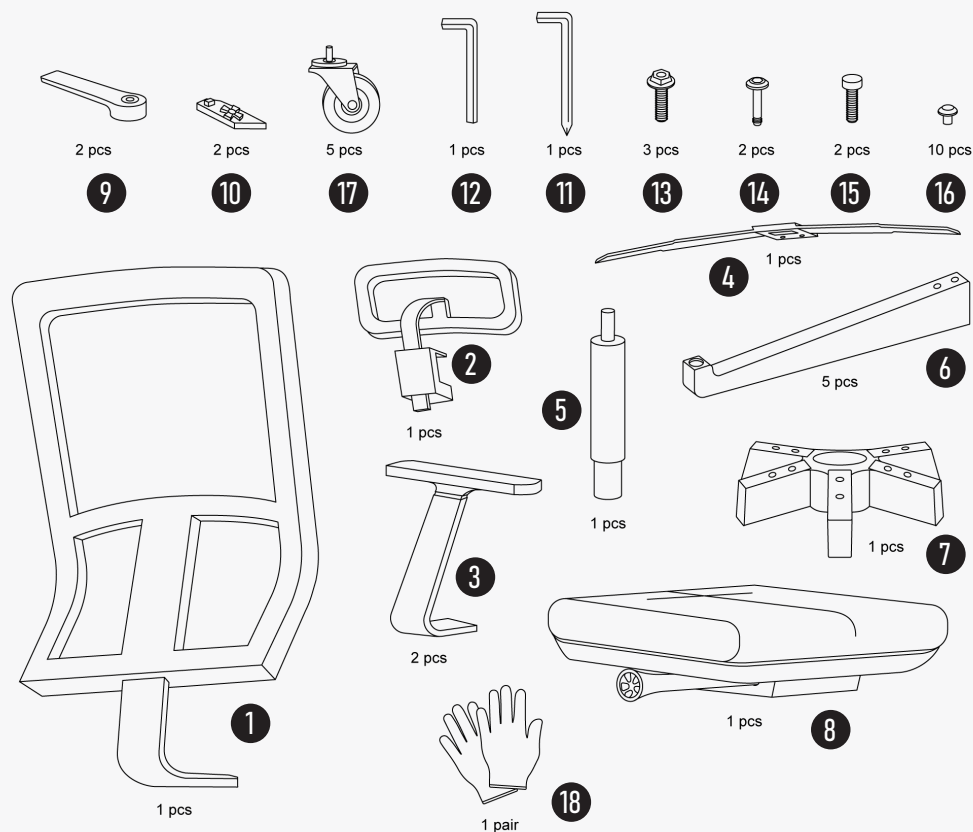
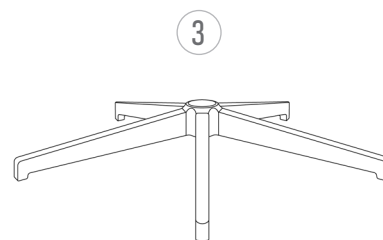
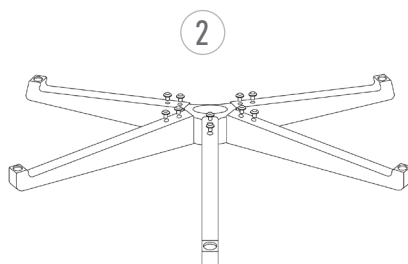
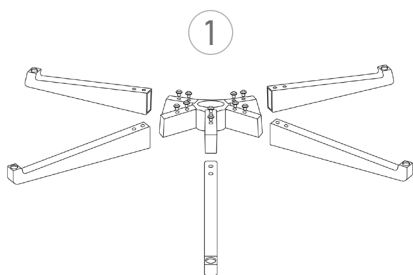


ERGONOMIC SPACE CHAIR

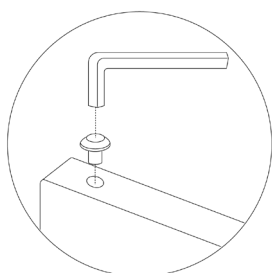
COMPLETION



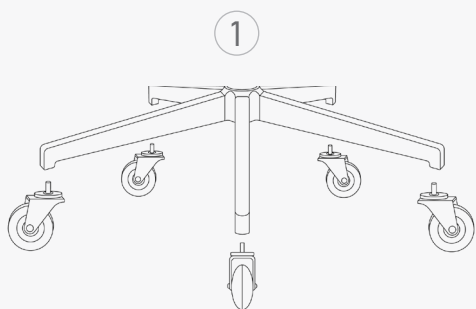
1 ASSEMBLING THE BEAMS



Place the beams (5) of the crossbar into the connector (7).



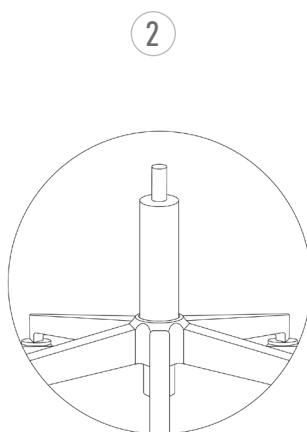
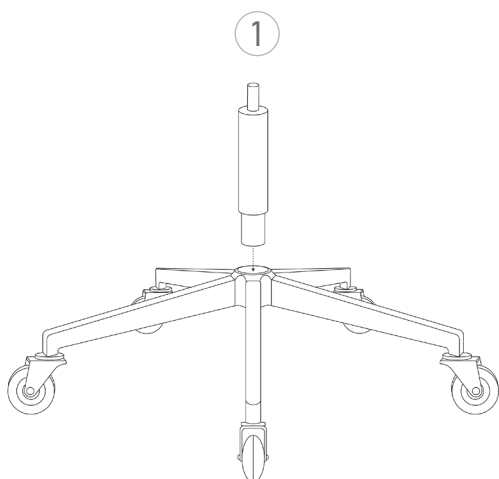
2 INSTALLING THE CASTERS



Install the rollers (11) into the crossbeam, as far as they will go.

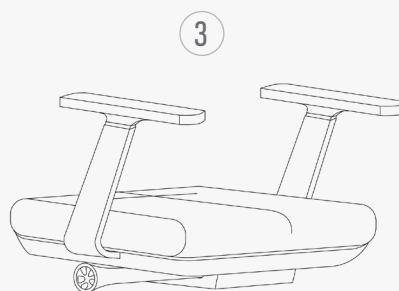
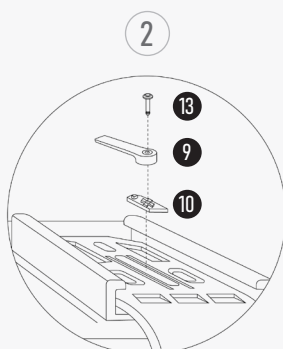
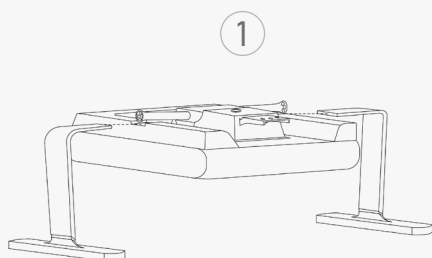


3 INSTALLING THE GAS ELEVATOR



Place the gas elevator (5) into the hole in the crossmember.

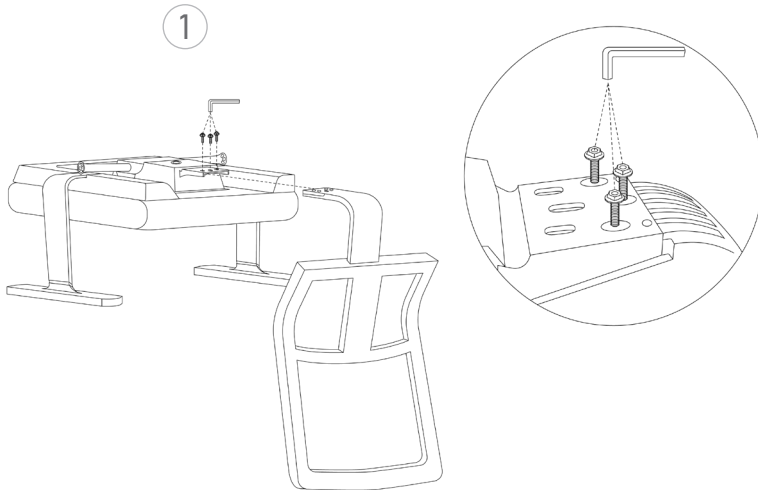
4 INSTALLING THE ARMRESTS



Attach the armrests (3) to the chair seat (8). Insert the spare part (10) into the guide in the middle of the armrest attachment so that the teeth are point upwards. Cover with the spare part (9) and insert the bolt (13). Tighten the bolt with the hexagon (11) as far as it will go. Note that the spare part (10) has R and L marks on it, which indicate the right (R) and left (L) armrests respectively.

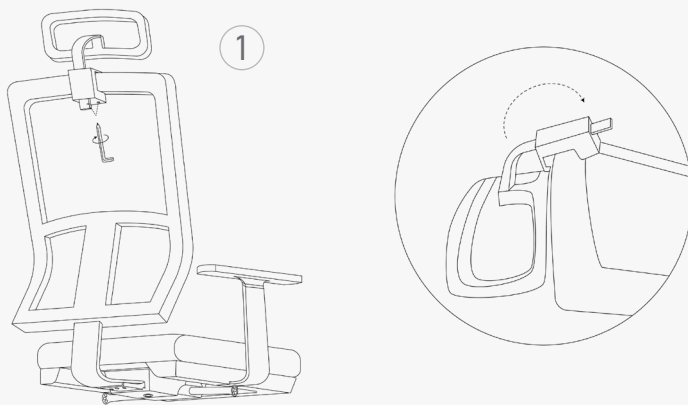


5 ATTACHING THE BACKREST



Attach the backrest (1) of the chair to the seat with the mechanism (8) using the bolts (13).

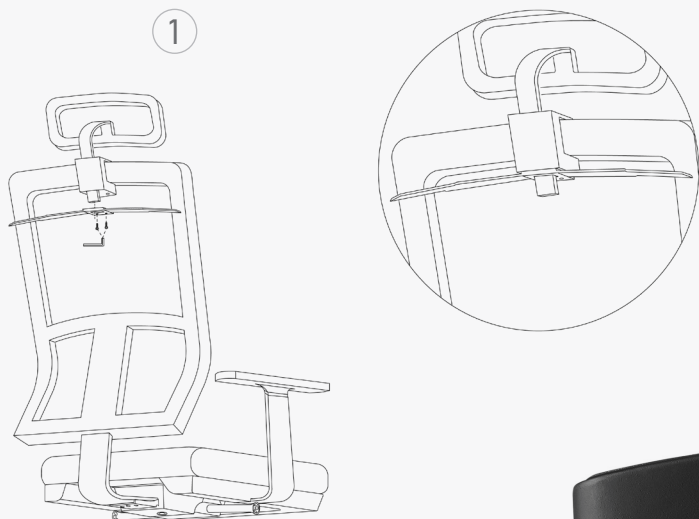
6 FITTING THE HEAD RESTRAINT



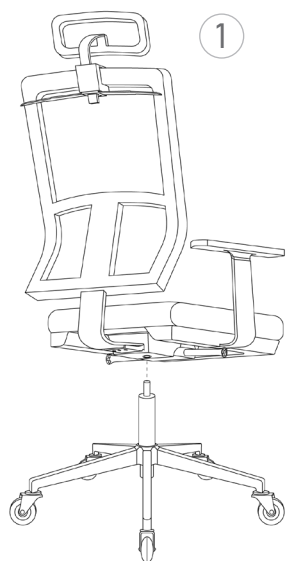
Remove the bolts from the head restraint (2). Secure the head restraint by hooking the head restraint by hooking it on the top edge of the seat until it clicks into place, then lower it down.



7 INSTALLING THE COAT RACK



Fasten the bolts (15)
the coat rack (4) to the head restraint.



Place the chair on the gas elevator (5)
with the armrest.

8 MOUNTING THE CHAIR ON THE GAS LIFT

